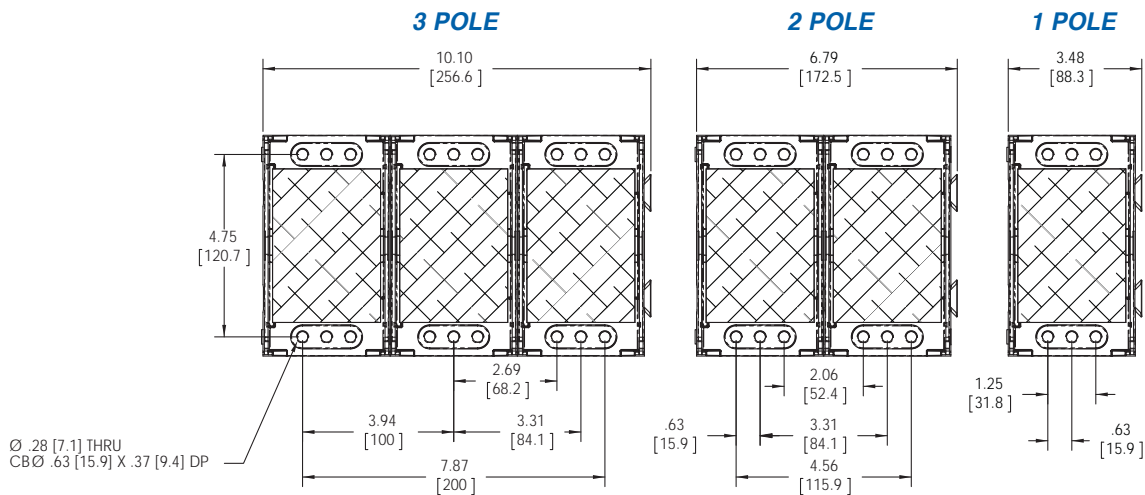


135 Series UL Listed Power Distribution Blocks

CATALOG #	Without Cover	With Cover Assembled	Poles	Amps	MATERIAL		LINE SIDE			LOAD SIDE			SCCR, RMS SYM Amps 600 Volt Max
					Insulator	Connector	Wire Range AWG/kcmil	Openings per Pole	Connector Config.	Wire Range AWG/kcmil	Openings per Pole	Connector Config.	
1351701 1352701 1353701		1351701CH	1	475	Plastic	Aluminum	750 kcmil - 1/0 AWG	1		750 kcmil - 1/0 AWG	1		100,000
		1352701CH	2										
		1353701CH	3										
1351702 1352702 1353702		1351702CH	1	950	Plastic	Aluminum	750 kcmil - 1/0 AWG	2		750 kcmil - 1/0 AWG	2		100,000
		1352702CH	2										
		1353702CH	3										
1351703 1352703 1353703		1351703CH	1	950	Plastic	Aluminum	750 kcmil - 1/0 AWG	2		250 kcmil - 6 AWG	6		100,000
		1352703CH	2										
		1353703CH	3										
1351704 1352704 1353704		1351704CH	1	950	Plastic	Aluminum	750 kcmil - 1/0 AWG	2		2/0 - 14 AWG	10		100,000
		1352704CH	2										
		1353704CH	3										
1351705 1352705 1353705		1351705CH	1	950	Plastic	Aluminum	750 kcmil - 1/0 AWG	2		2-14 AWG	12		100,000
		1352705CH	2							250 kcmil - 6 AWG	3		
		1353705CH	3										
1351706 1352706 1353706		1351706CH	1	950	Plastic	Aluminum	750 kcmil - 1/0 AWG	2		2-14 AWG	4		100,000
		1352706CH	2							250 kcmil - 6 AWG	5		
		1353706CH	3										
1351707 1352707 1353707		1351707CH	1	950	Plastic	Aluminum	750 kcmil - 1/0 AWG	2		2-14 AWG	12		100,000
		1352707CH	2							3/0 - 6 AWG	4		
		1353707CH	3										
1351708 1352708 1353708		1351708CH	1	950	Plastic	Aluminum	750 kcmil - 1/0 AWG	2		3/0 - 6 AWG	8		100,000
		1352708CH	2										
		1353708CH	3										

3 pole blocks shown above without hinge cover (CH) - CH version is UL Recognized

Datasheets available at marathonsp.com



SIDE VIEW WITHOUT COVER

SIDE VIEW WITH COVER ASSEMBLED

Hinge Cover can be purchased separate from block - specify part number **CH 1351** (1 cover per pole)



13300 Van Camp Road • P.O. Box 468 • Bowling Green, Ohio 43402

Phone: (419) 352-8441 • Fax: (419) 352-0875 • marketing@marathonsp.com

www.marathonsp.com

